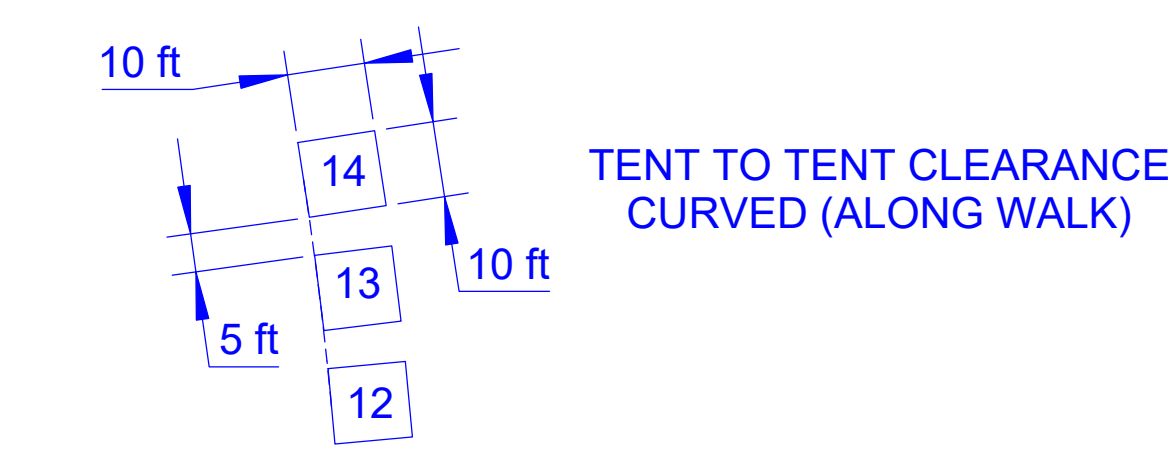
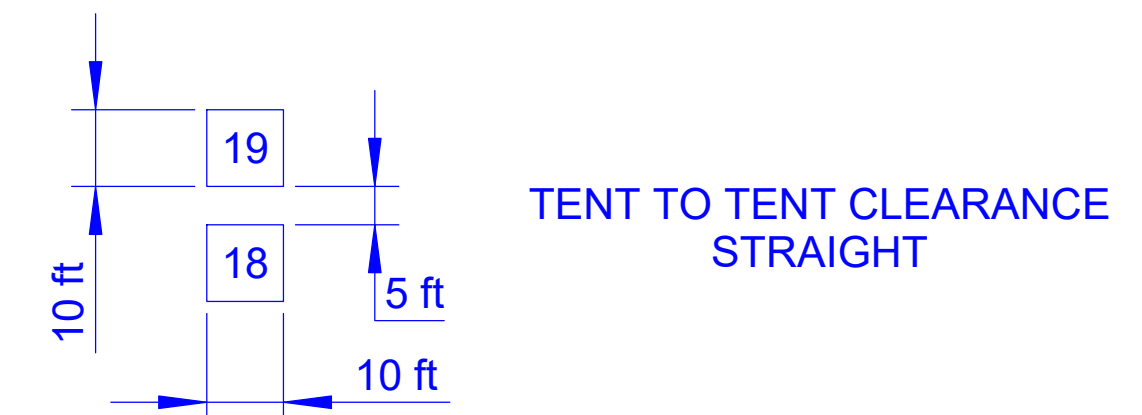


(if printed on 24" X 36" paper)

**SITE SETUP SPACE**  
SCALE: 1" = 25'



ADDRESS:  
250/300 W LIVINGSTON RD  
HIGHLAND, MI 48357

SHOW PLANNED DATE: SAT MAY 18, 2024

SHOW PLANNED TIMES: 9-4 PM

VENDOR SITES: (47) PLANNED

CONTACTS:  
TERRI WHITE (248-255-6452)  
info@theplanspace.com  
NICOLE KING (248-935-0553)  
nikkimcd8820@gmail.com

**PARKING SPACES**  
HIGHLAND TOWNSHIP:  
REGULAR (122)  
HANDICAP(8)  
SCHOOL REAR LOT  
REGULAR (81)  
HANDICAP (3)

**DRAWING REVISIONS**  
4/14/2024: ADDED TABLES/CHAIRS  
4/23/2024: MINOR PRINT REVISIONS  
4/30/2024: ADD FELDMAN CHEV

|       |               |                                |
|-------|---------------|--------------------------------|
|       | TITLE         | FOUNDERS DAY                   |
|       | DWG NO        | 2024 FOUNDERS DAY PLOT PLAN V5 |
|       | DATE RELEASED | 5/15/2023                      |
|       | DATE REVISED  | 04/30/2024                     |
| SCALE |               | 1" = 25'                       |
| SHEET |               | 1 OF 1                         |