

FIREWORKS

BLOCK OFF

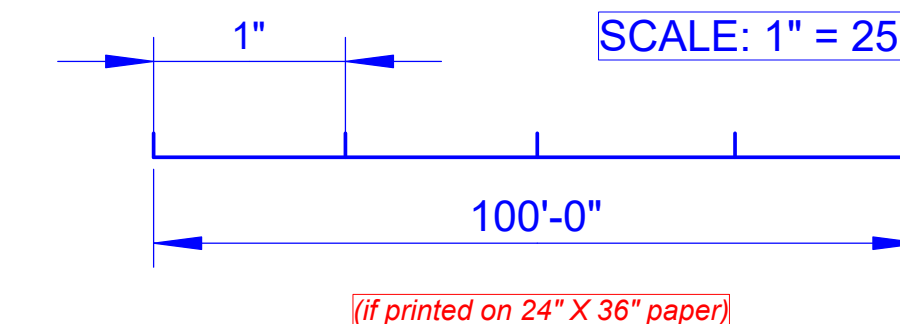
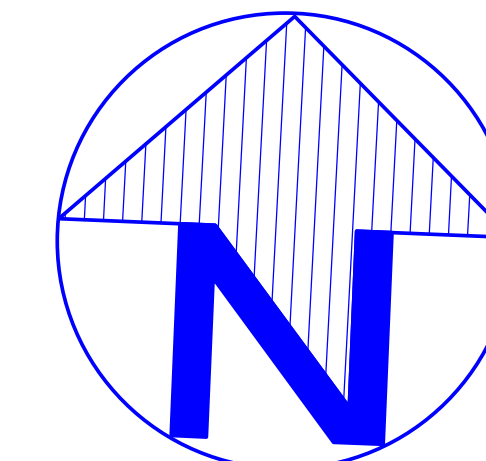
FIRE TRUCK/VENDOR ENTRANCE/EXIT

VENDOR VEHICLE INGRESS/EGRESS

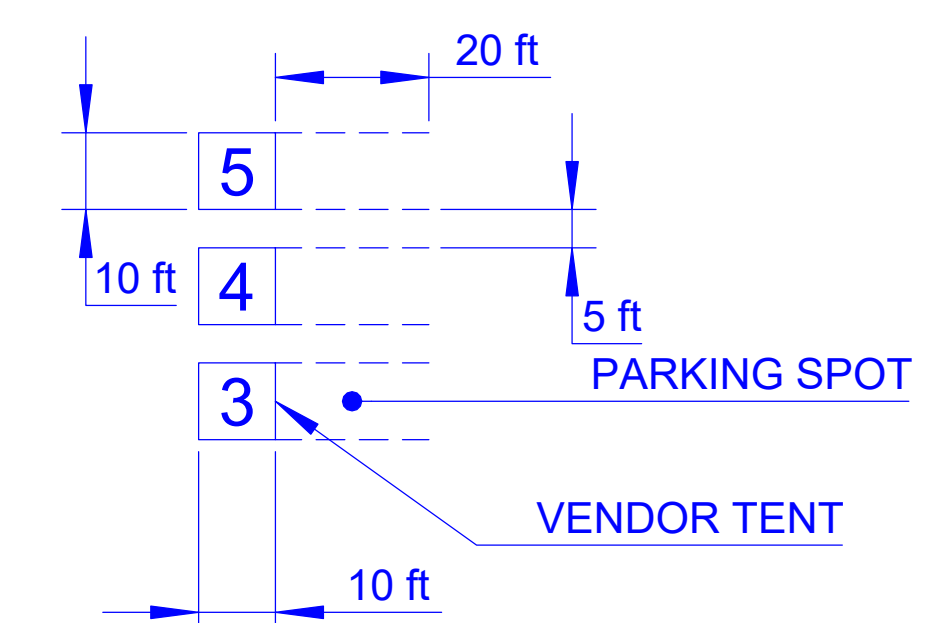
SITE NO.	DISTANCE FROM DRIVEWAY (FT)	DISTANCE BETWEEN SITES (FT)
43	45	
42	70	25
41	85	15
40	110	25
39	125	15
38	155	30
37	185	30
36	200	15
35	221	21
34	245	24
33	260	15
32	275	15
31	290	15
30	305	15
29	325	20
28	350	25
27	365	15
26	380	15
25	395	15
1	20	
2	35	15

RW&B ACTIVITIES			
KID'S ZONE SCHEDULE			
ACTIVITY	START TIME	END TIME	
BOUNCE HOUSE	5PM	10PM	
FACE PAINTING	6PM	8PM	
FIRE DEPT WATER SPRAY	5PM	7PM	
PETTING ZOO	6PM	8PM	
PONY RIDES	6PM	8PM	
ROCK WALL	6PM	8PM	
OTHER			
ACTIVITY	START TIME	END TIME	
MICHAEL MAY AND MESS	5PM	7PM	
AROUNDS BAND			
THE RANDY BROCK GROUP	7:30PM	9:30PM	
CRAFT SHOW	5PM	AFTER FIREWORKS	
FIREWORKS	DUSK	AFTER FIREWORKS	
FOOD TRUCKS	5PM	AFTER FIREWORKS	

KID'S ZONE BOUNCE HOUSE			
NUM	ITEM	LENGTH	WIDTH
KZ1	Single Lane Water Slide	30'	13'
KZ2	Rainbow Castle w/ Slide	20'	15'
KZ3	Hoops Game	9'-4"	9'-4"



SITE SETUP SPACE



- DRAWING SYMBOLS
- TREE ⊕
 - LIGHT POLE •
 - DRAIN •
 - PHONE POLE ●
 - WATER FAUCET •
 - FRONT -

ADDRESS:
305 N JOHN STREET
HIGHLAND, MI 48357

SHOW PLANNED DATE: SAT JUNE 29, 2024

SHOW PLANNED TIMES: 5PM-DUSK/
AFTER FIREWORKS

VENDOR SITES: (40) PLANNED

CONTACTS:
TERRI WHITE (248-255-6452)
info@theplansplace.com
NICOLE KING (248-935-0553)
nikkimcd8820@gmail.com

PARKING SPACES:
HIGHLAND TOWNSHIP REGULAR (122)
HANDICAP (8)
SCHOOL REAR LOT REGULAR (81)
HANDICAP (3)

DRAWING REVISIONS
4/13/2024: ADD BAND STAGE
4/30/2024: ADD FOOD TRUCKS
5/02/2024: ADJUSTED FOOD TRUCKS/BAND

ThePlansPlace.com
Red, White & Blues Festival
DWG NO: 2024 JOHN ST FIELD PLOT PLAN V5
DATE RELEASED: JUNE 20, 2023
DATE REVISED: APRIL 02, 2024
SCALE: 1" = 25'
SHEET 1 OF 1

FIRE TRUCK

TRAILER PULL THRU

VENDOR TENT (10'X10')

LINE TENT FRONT/CENTER TO FLAG

VENDOR PARK SPOT
-PULL IN OR BACK IN
-TRAILER PULL THRU

NOTE: THIS PRINT DOES NOT SHOW ALL VEHICLES

INFORMATION STATION

TO M59

N JOHN ST

RUGGLES

TREE

EMS

DRAIN

HIGHLAND ELEMENTARY SCHOOL DRIVEWAY

BLOCK DRIVE

PHONE POLE

LIGHT POLE W/OUTLET

HIGHLAND ELEMENTARY SCHOOL PARKING LOT

FOOD TRUCKS (F1-F10)

TABLES & CHAIRS

STAGE

BAND

HIGHLAND ACTIVITY CENTER

WASH STATION

WASH STATION

FOOD COURT

PONY RIDES/PETTING ZOO

VOLUNTEER CHECK-IN

FACE PAINTING

ROCK WALL

KID ZONE

BLOCK DRIVE

PORTA POTTIES

BLOCK DRIVE

WATER

1

2

3

4

1

2

3

4