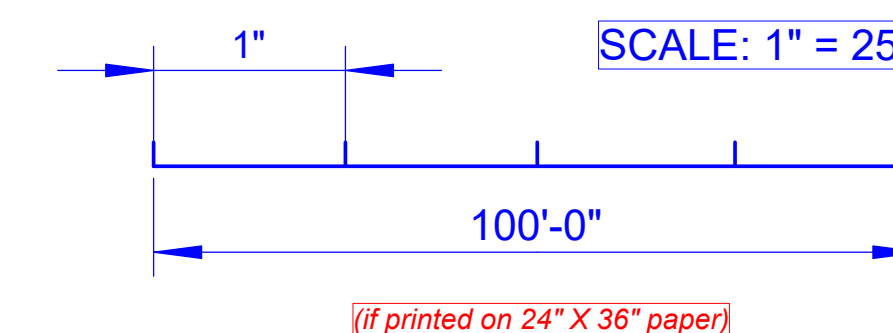
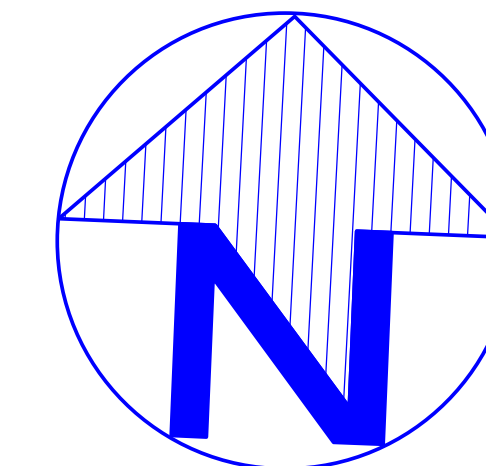


FIREWORKS

BLOCK OFF

FIRE TRUCK/VENDOR ENTRANCE/EXIT

VENDOR VEHICLE INGRESS/EGRESS



FOOD TRUCK PLACEMENT			
SITE NO.	DISTANCE FROM	DISTANCE (FT)	COMMENTS
F1	PL NE Curb	16'-6"	
F2	PL NE Curb	67'-7"	
F3	PL NE Curb	99'-7"	
F4	PL NE Curb	148'-8"	
F5	PL NW Curb	11'-6"	
F6	PL SW Curb	1'-6"	
F7	PL SE Curb	82'-1"	
F8	PL SE Curb	29'-6"	
F9	PL SE Curb	7'-6"	
F10	SIDEWALK	44'-9"	BLOCKS ENTRANCE
F11	SIDEWALK	77'-9"	15' FROM DRIVEWAY
F12	SIDEWALK	110'-9"	15' FROM DRIVEWAY
F13	SIDEWALK	160'-10"	15' FROM DRIVEWAY
F14	SIDEWALK	201'-6"	15' FROM DRIVEWAY
BAND	PL SE Curb	125'-4" (center)	

PL= PARKING LOT/Y DISTANCE TO CURB 10'

SITE NO.	DISTANCE FROM DRIVEWAY (FT)	DISTANCE BETWEEN SITES (FT)
40	110	
39	125	15
38	155	30
37	185	30
36	200	15
35	221	21
34	245	24
33	260	15
32	275	15
31	290	15
30	305	15
29	325	20
28	350	25
27	365	15
26	380	15
25	395	15

RW&B ACTIVITIES		
KID'S ZONE SCHEDULE		
ACTIVITY	START TIME	END TIME
BOUNCE HOUSE	6PM	10PM
FACE PAINTING	6PM	9PM
FIRE DEPT WATER SPRAY	5PM	7PM
PETTING ZOO	6PM	8PM
PONY RIDES	6PM	8PM
ROCK WALL	6PM	8PM

OTHER		
ACTIVITY	START TIME	END TIME
DJ MUSIC	5PM	7:30PM
THE SOUL MEN (BLUES BROTHERS TRIBUTE)	7:30PM	9:30PM
CRAFT SHOW	5PM	AFTER FIREWORKS
FIREWORKS	DUSK	
FOOD TRUCKS	5PM	AFTER FIREWORKS

KID'S ZONE BOUNCE HOUSE				
NUM	ITEM	LENGTH	WIDTH	HEIGHT
KZ1	SNEAKER SLIDE	20'	13'	24'
KZ2	GOLF GLOW INFLATABLE	9'-6"	20'	18'
KZ3	BOOM BOX BOUNCER	19'-8"	25'	14'

FIRE TRUCK

VENDOR TENT (10'X10')

LINE TENT FRONT/CENTER TO FLAG

VENDOR PARK SPOT -PULL IN OR BACK IN -TRAILER PULL THRU

NOTE: THIS PRINT DOES NOT SHOW ALL VEHICLES

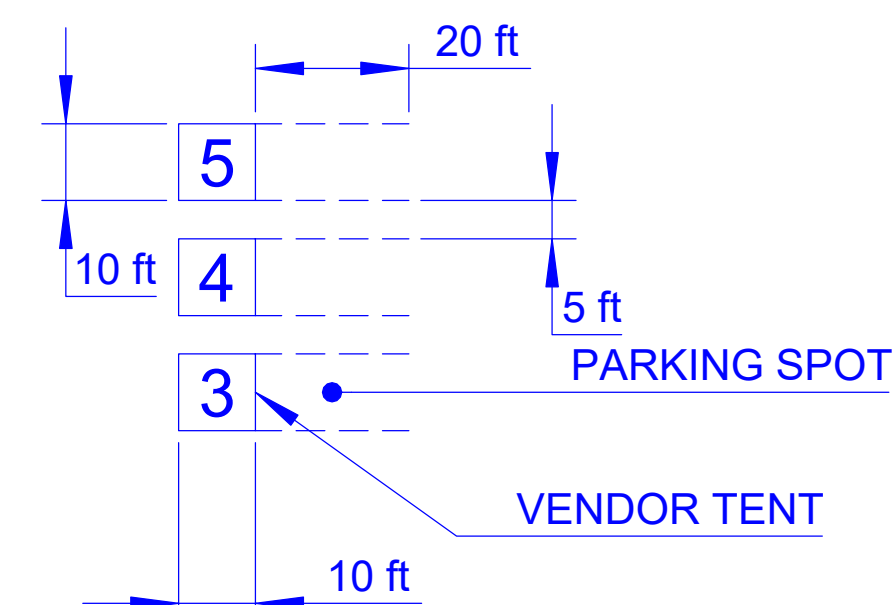
INFORMATION STATION

TREE

N JOHN ST

RUGGLES

SITE SETUP SPACE



DRAWING SYMBOLS

- TREE ⊕
- LIGHT POLE •
- DRAIN •
- PHONE POLE ●
- WATER FAUCET ●
- FRONT -

ADDRESS: 305 N JOHN STREET HIGHLAND, MI 48357

SHOW PLANNED DATE: SAT JUNE 27, 2026

SHOW PLANNED TIMES: 5PM-11PM/ AFTER FIREWORKS

VENDOR SITES: (40) PLANNED

CONTACTS:

TERRI WHITE (248-255-6452) info@theplansplace.com

NICOLE KING (248-935-0553) nikkimcd8820@gmail.com

PARKING SPACES:

HIGHLAND TOWNSHIP REGULAR (122) HANDICAP(8) SCHOOL REAR LOT REGULAR (81) HANDICAP (3)

DRAWING REVISIONS

- 4/28//2026: REVISED BANDS/TIME
- 5/25/2026: ADD TENT/REMOVE CARS
- 5/29/2026: ADD T. SERRA, ADJUST TENTS
- 6/4/2026: REVISE VENDOR/FOOD PLACEMENT CHARTS
- 6/11/2026: ADD ADDITIONAL TOWNSHIP TENTS

ThePlansPlace.com TITLE Red, White & Blues Festival

DWG NO Highland Plot Plan/2026 RWB

DATE RELEASED JUNE 20, 2023 DATE REVISED JUNE 11, 2026 REV V9 SCALE 1" = 25' SHEET 1 OF 1